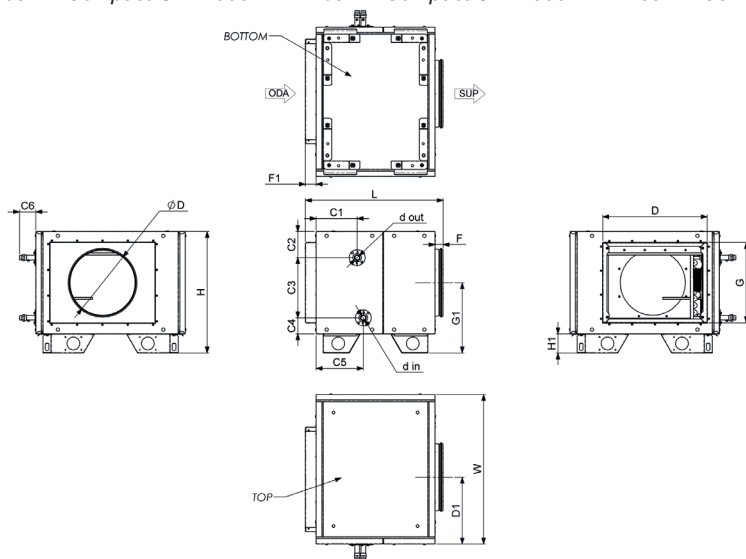


Comfort box WH right

AmberAir Compact-S-R-1000-H / AmberAir Compact S-R-1500-H / AmberAir Compact S-R-2000-H



Comfort box WH right

AmberAir Compact S-R-3000-H

